



FDS-32

Solar DC FUSE

TUV CE ISO90001 certification



Replaceable core

Push-pull base makes it easy to replace fuse

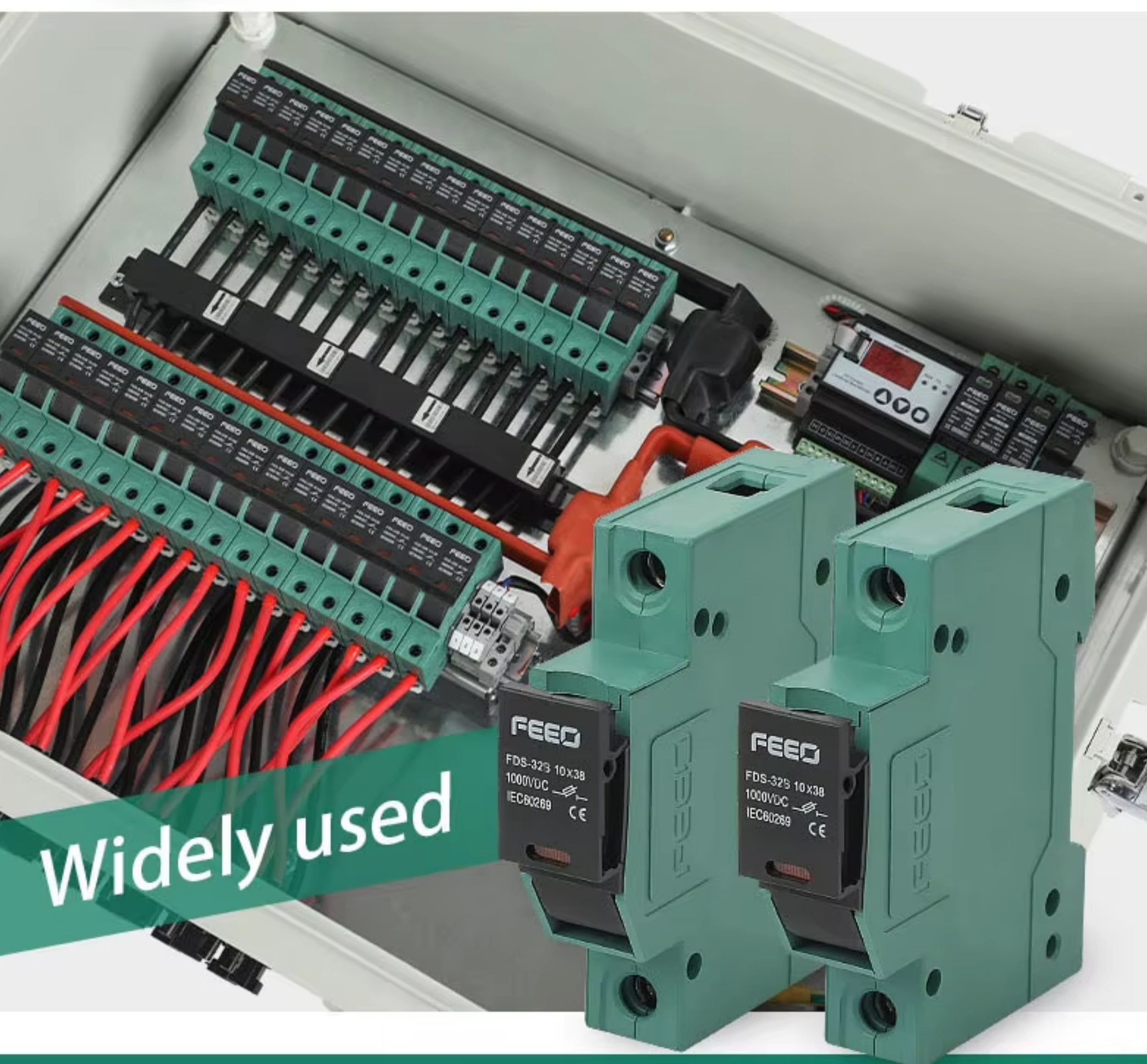


Show Details

Scalable design
Easy to replace



Indicator device
Off state, the light is lit up



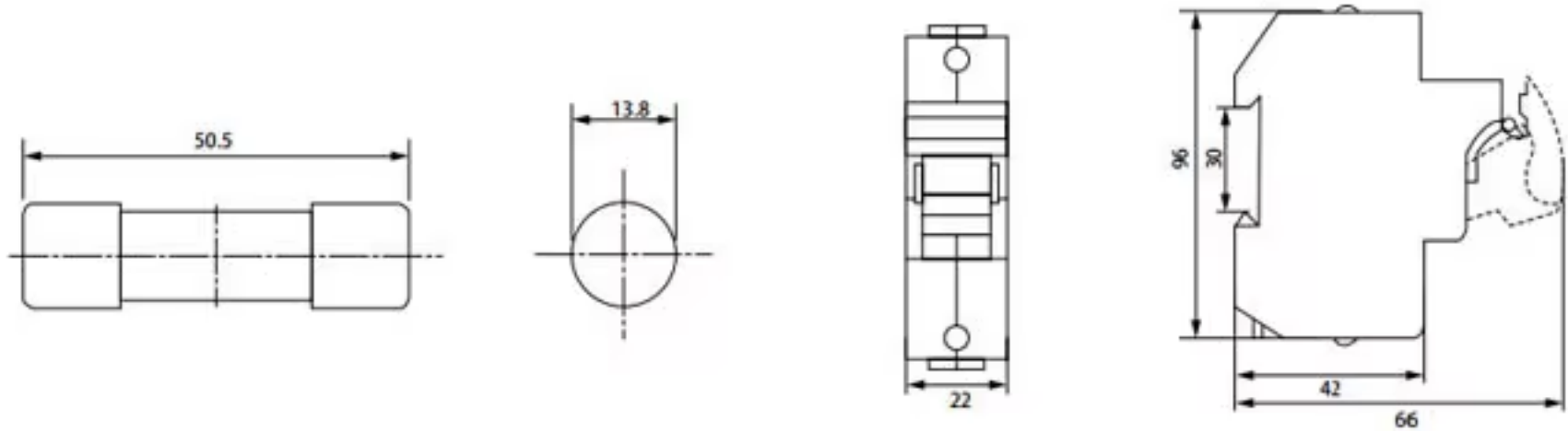
Widely used

Parameter Introduction

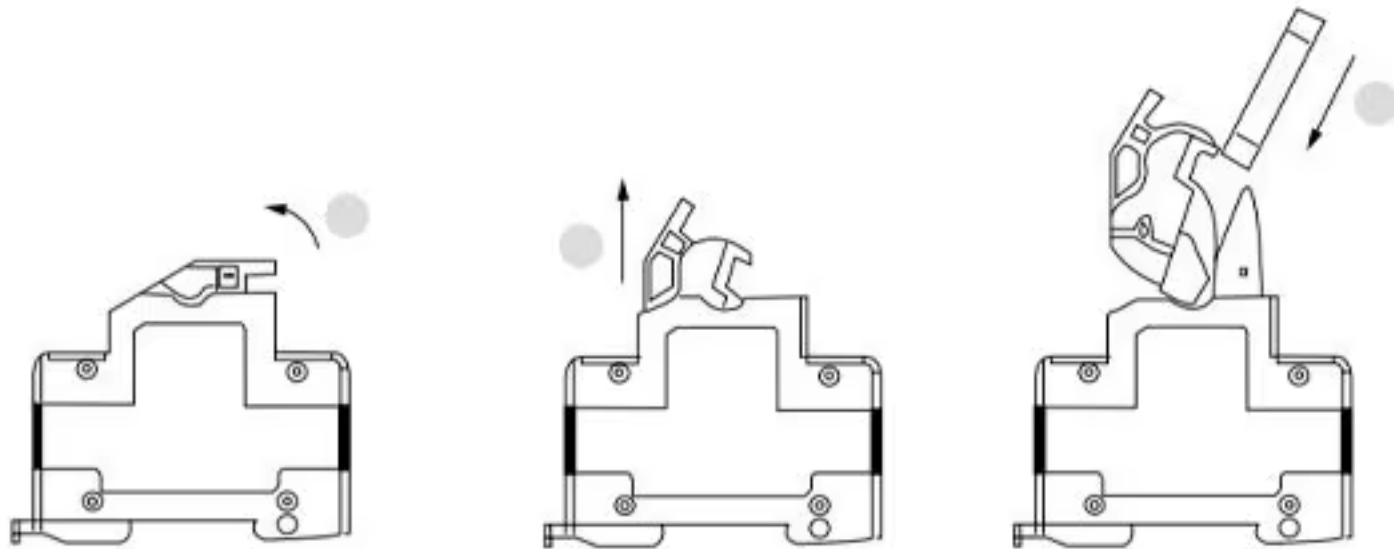
According to IEC60269-1

Pole		1P
Rated Voltage Ue (V DC)		1000
Rated Current In (A)		1,2,3,4,5,6,8,10,12,15,20,25,32
Biggest Block Ability (KA)		20
The Most High Power Consumption (W)		3.5
Connection (mm ²)		2.5 - 10
Working Temperature (°C)		-30~+70
Resistance And Damp Hot		Class 2
Altitude (m)		≤ 2000
Relative Humidity		≤ 95%
Protection Class/Degree		IP20
Pollution		3
Installation Environment		No obvious shock and vibration
Installation Class/Type		Class III/DIN rail
Size/Dimension (mm) (W×H×L)	W	18
	H	60
	L	78
Fuse Size		10×38
Fuse Link Weight (kg)		0.011
Fuse holder weight (kg)		0.07

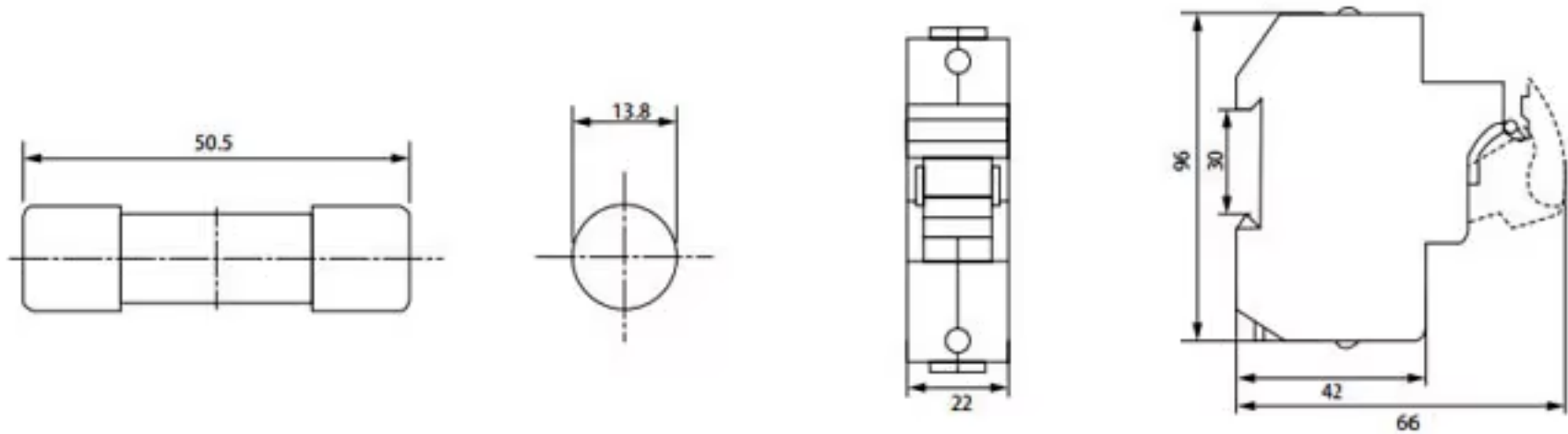
Dimensions



Installation



Dimensions



Installation

